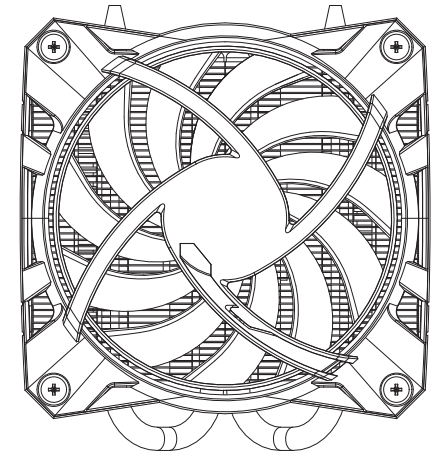
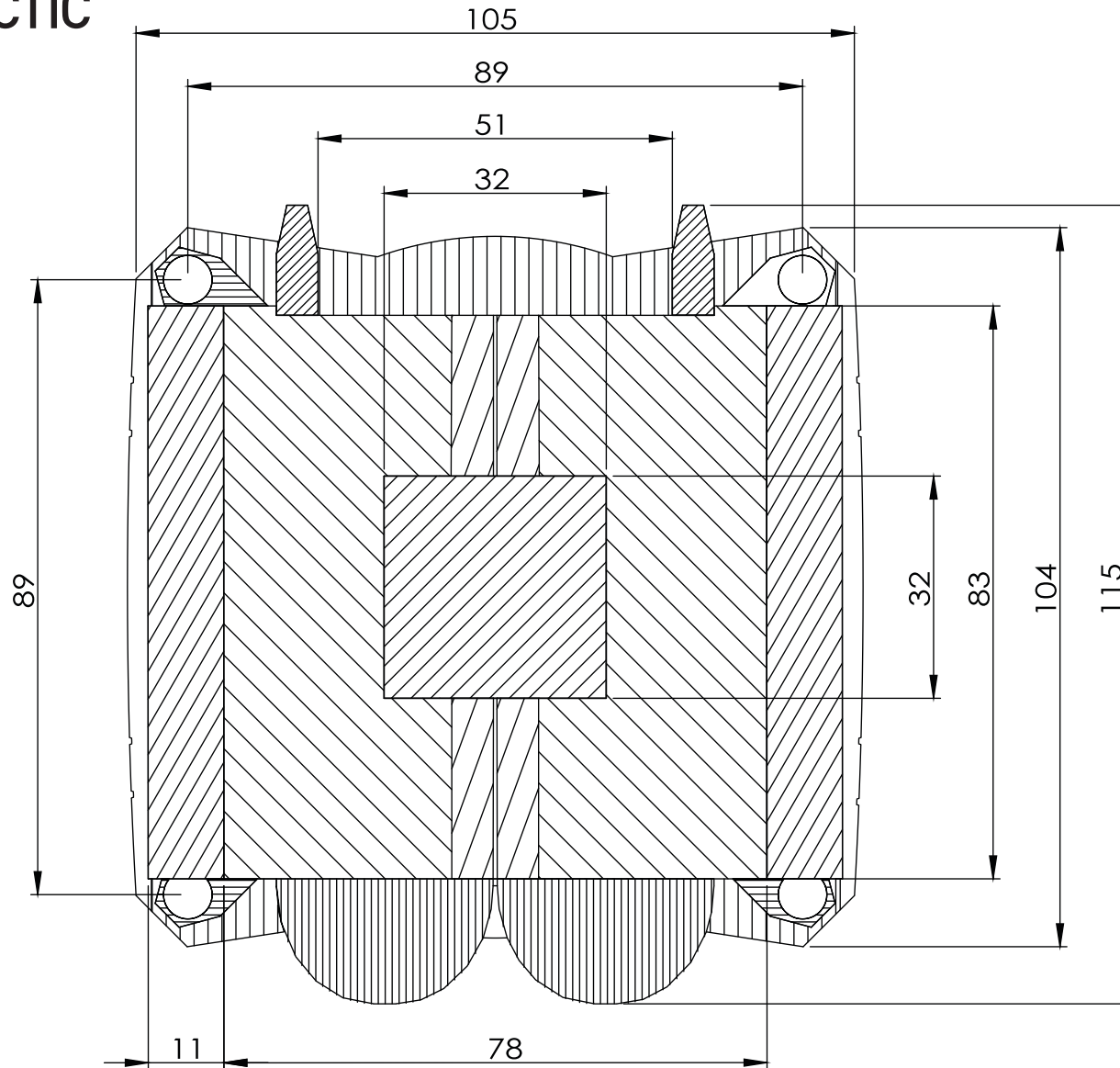




Freezer 11 LP

Height Restriction Drawing



Max. Component Height from Motherboard Surface	
	0 mm
	7.7 mm (height of CPU)
	10.2 mm
	From 10.2 to 28 mm
	29.4 mm
	From 9.7 to 35.4 mm
	35.4 mm
	9.7 mm